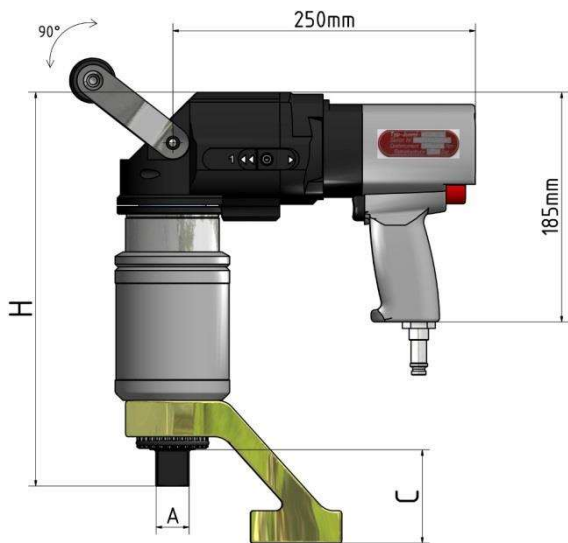


## Technical data | TLW - series

- Are adjusted over a fine range of pressure-reducing valves in the maintenance unit and have an accuracy of  $\pm 5\%$  under unchanging conditions
- Have a 360°-rotatable pistol grip; the easily reachable clockwise-counterclockwise switching enables the device to be operated comfortably
- Have a 2-speed gearbox and can be adjusted with up to 44 torque settings
- The drive unit can be rotated freely around 360° in relation to the high-performance drive and locked mechanically, which allows the device to be comfortably positioned on the screw connection.
- Operate vibration-free and quietly; therefore, especially in view of occupational health, they cannot be compared with traditional impact wrenches
- The principle of the pneumatic drive motor enables work in heavily contaminated or dusty conditions, as the drive motor builds a continuous overpressure and requires no external air cooling supply.



Typ / Type		TLW - 84	TLW - 104	TLW - 244	TLW - 354	TLW - 504	TLW - 604	TLW - 904	TLW - 1205	
Art.-Nr. TES -		57 084 000	57 104 000	57 244 000	57 354 000	57 504 000	57 604 000	57 904 000	57 913 000	
Leistung / Torque (Nm)		Nm	40 - 880	40 - 1.200	70 - 2.500	70 - 4.000	100 - 5.000	400 - 6.000	450 - 10.000	600 - 12.000
Antriebsvierkant / Square drive	A	Zoll inch	¾" o. 1"	1"	1"	1 ½"	1 ½"	1 ½"	1 ½"	
Höhe (mm) / Height	C	mm	55-75	75	75	95	95	110	110	115
Getriebe Ø (mm) / Gear diam. Ø	D	mm	88	88	88	88	88	130	130	175
Höhe (mm) / Height	H	mm	270	270	300	320	350	340	380	390
Gewicht (kg)* / Weight		kg	7	8	8	9	10	13	17	19
Leerlaufdrehzahl (UpM)** Idle speed (rpm)**		U/m r/m	19	19	7,5	7,5	2	2,8	1,8	1,8

\* ohne Reaktionsarm / without torque support

\*\* 2. Gang / 2. speed gear

Technische Änderungen vorbehalten / Subject to technical changes